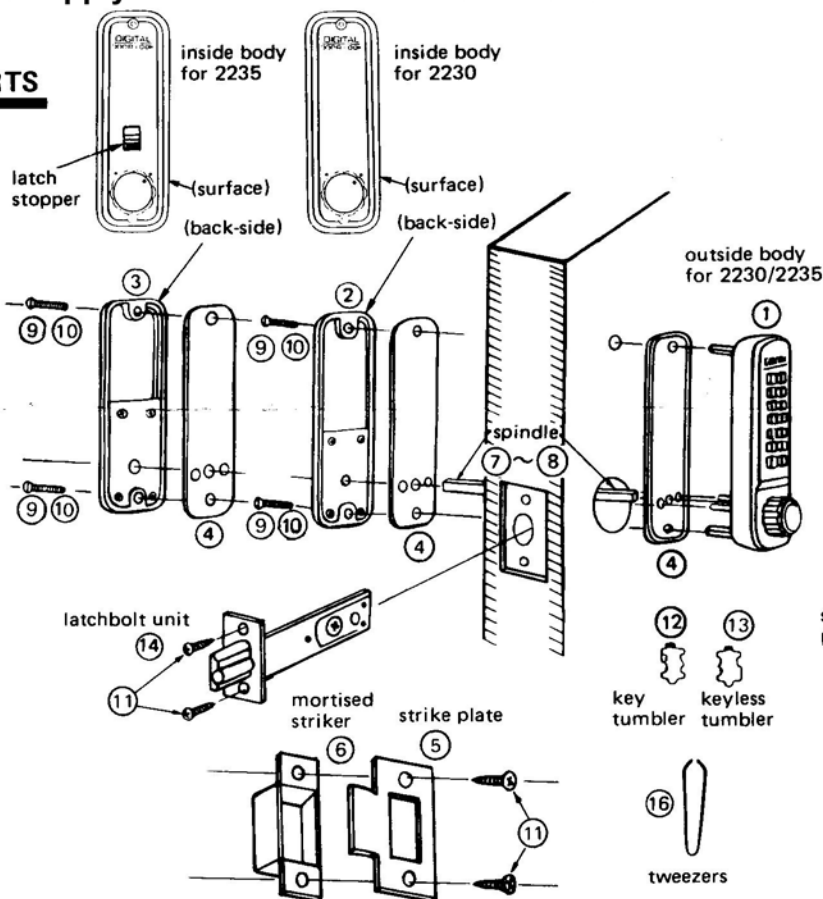


"INSTALLATION INSTRUCTIONS OF DIGITAL DOOR LOCK" NO. 2230 (Built-In type Latchbolt Lock without "LATCH STOPPER") NO. 2235 (Build-In type Latchbolt Lock with "LATCH STOPPER")

NOTE: These instructions also apply to the No. 3210DC and 3230DC.

I. THE NAME AND DETAILS OF THE ENCLOSED PARTS

NO.	name of parts	NO.2230	NO.2235
1.	outside body	1 pce	1 pce
2.	inside body	1 pce	
3.	inside body with "LATCH STOPPER"		1 pce
4.	rubber escutcheon	2 pcs	2 pcs
5.	strike plate	1 pce	1 pce
6.	mortised striker	1 pce	1 pce
7.	spindle for 40-55mm (1.37/64"-2.11/64")	1 pce	1 pce
8.	spindle for 30-45mm (1.3/16"-1.49/64")	1 pce	1 pce
9.	machine screw M4 x 1.31/32" for above 7	2 pcs	2 pcs
10.	machine screw M4 x 1.3/8" for above 8	2 pcs	2 pcs
11.	wood screw M4 x 5/8"	4 pcs	4 pcs
12.	key tumbler (red)	1 pce	1 pce
13.	keyless tumbler (blue)	1 pce	1 pce
14.	latchbolt unit	1 pce	1 pce
15.	support pin	1 pce	1 pce
16.	tweezers	1 pce	1 pce



II. CONFIRM THE POSITION OF HINGE BEFORE INSTALLATION

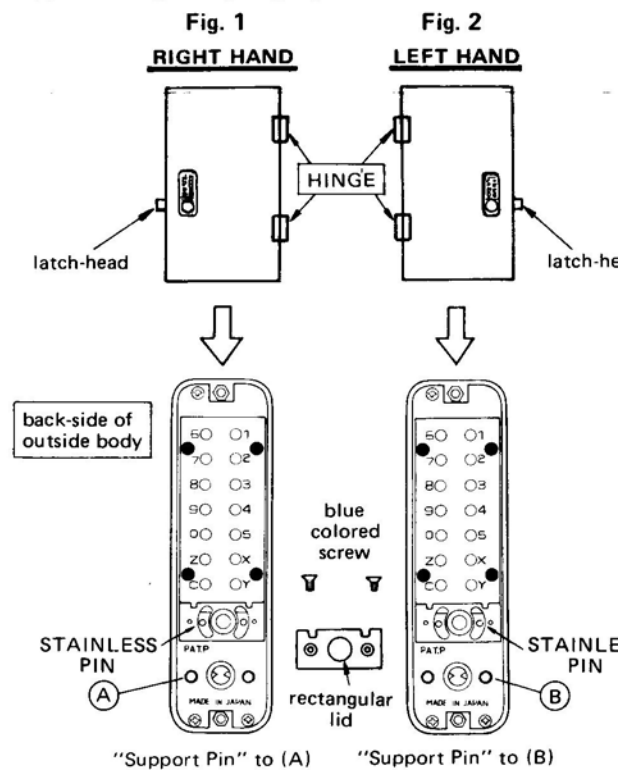
DIGITAL DOOR LOCK is equipped with "FOR RIGHT HAND" which the hinge is installed on the right of the door on the sight from the out-door regardless of the opening direction of the door.

1. In case of "For Right Hand"

- After removing the rectangular lid, confirm whether the "Stainless Pin" is set to the prescribed left hole, as shown in Fig. 1.
- Install the supplied SUPPORT PIN (Part No. 15) to "A" as Fig. 1.

2. In case of "For Left Hand"

- After removing the rectangular lid, change the "Stainless Pin" to the right hole using the supplied tweezers, as shown in Fig. 2.
- Install the supplied SUPPORT PIN (Part No. 15) to "B" as Fig. 2.

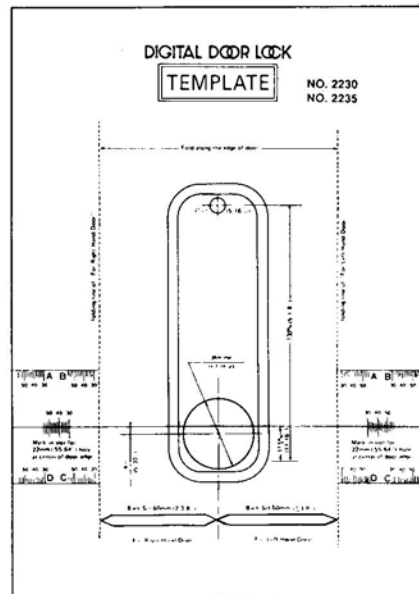


"Support Pin" to (A) "Support Pin" to (B)

III. HOW TO INSTALL THE DIGITAL DOOR LOCK

- Use a template at first and decide the position where DIGITAL DOOR LOCK is to be installed.
- Mark the hole center for a small hole (8mm dia. ...5/16" dia.) and for a large hole (36mm dia. ...1.7/16" dia.) on the surface of the door. And also mark the hole center of 1 slot for the Latchbolt Unit at the center of door edge through the template.
(Refer Fig. 3)

Fig. 3



c. Make 2 holes of 8mm (5/16") dia. and 36mm (1.7/16") dia. on the surface and 1 slot of 22mm (55/64") dia. at the door edge.

d. Insert the Latchbolt Unit into the slot. Scribe a line around the Latchbolt Face and remove it. Chisel out the scribed space until the Latchbolt Face is flush with the surface of the door edge.

e. Fasten the Latchbolt Unit with the wood screws of M4 x 5/8". (part No. 11)

f. After placing the Rubber Escutcheon to the back-side of outside body, insert the upper hexagonal leg to 8mm dia. hole and the lower hexagonal leg and the support pin to 36mm dia. hole. (Refer Fig. 4)

(The support pin should be inserted through the hole which is located at the end of Latchbolt Unit.)

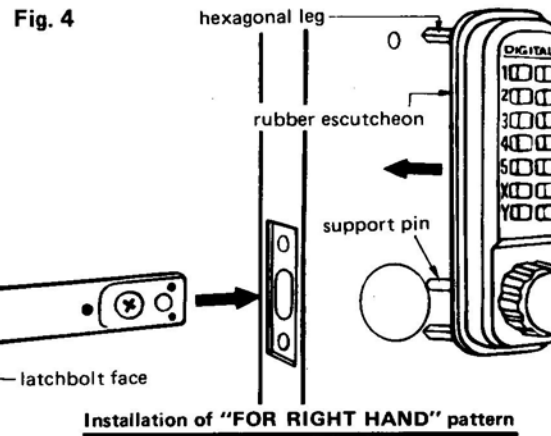
g. According to the door thickness, select the proper spindle upon referring the following;

Door thickness from 40mm (1.37/64") to 55mm (2.11/64") 86mm (3.25/64") length spindle (part No. 7)

Door thickness from 30mm (1.3/16") to 45mm (1.49/64") 76mm (2.63/64") length spindle (part No. 8)

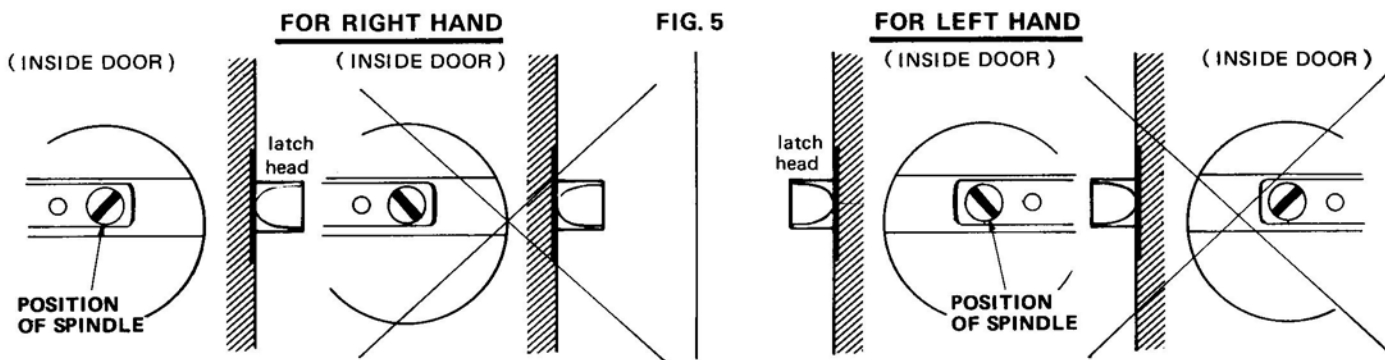
(The indicated size on the Spindle is the applicable door thickness)

h. Insert the Spindle into the hole of the back-side on the outside body through the hole of Latchbolt Unit from the indoor side. (Refer Fig. 5)



Installation of "FOR RIGHT HAND" pattern

PAY ATTENTION TO THE POSITION OF SPINDLE ON INSERTING TO THE HOLE



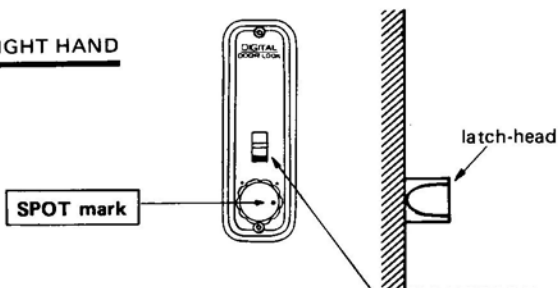
i. After placing the Rubber Escutcheon to the back-side of inside body, install it to the door. (The spindle should be inserted to the Spindle Hole of inside body.)

THE SPOT IS MARKED ON THE KNOB OF INSIDE BODY SHOULD BE IN THE DIRECTION OF "LATCH-HEAD" AS FIG. 6.

THE POSITION OF "SPOT" MARK ON INSIDE KNOB

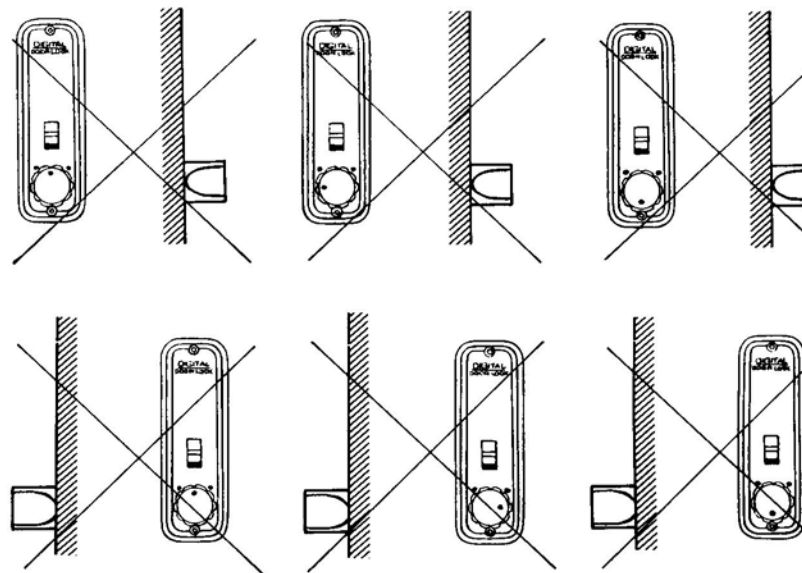
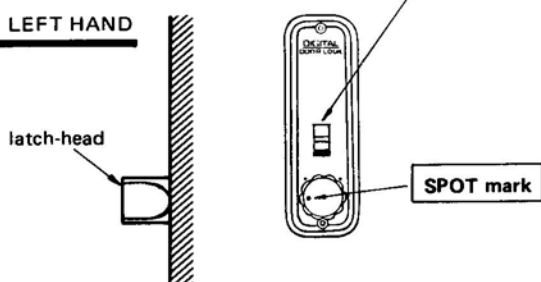
Fig. 6

FOR RIGHT HAND



(In case of NO.2235, inside body is "WITH LATCH STOPPER")

FOR LEFT HAND



- j. Fasten the inside body with the machine screws of the supplied proper length. (part No. 9-10)
- k. Check the operation of latchbolt by turning the inside knob.
- l. Close the door and decide the position where the latchbolt touches to the face of the door jamb. Make the hole for the Mortised Striker and Str and chisel out the space for Strike Plate until it is flush with the surface. And fasten them with the wood screws of M4 x 5/8". (part No. 11)

V. HOW TO USE THE DIGITAL DOOR LOCK

- a. When the door closed, DIGITAL DOOR LOCK is locked automatically.
- b. From indoor-side, unlocked by turning the inside knob.
- c. From outdoor-side, unlocked by turning the outside knob after pushing the equipped SECRET NUMBER.

● ● ● SPECIAL FUNCTION ON THE ITEM OF NO.2235 How to use the "LATCH STOPPER" ● ● ●

- a. After unlocking by turning the inside knob, push down the "LATCH STOPPER" which is in the inside body.
(The "SPOT" mark on inside knob ought to be located at the middle position between two spots on inside body.)
- b. In case of restoring to the normal function, push the "LATCH STOPPER" up.

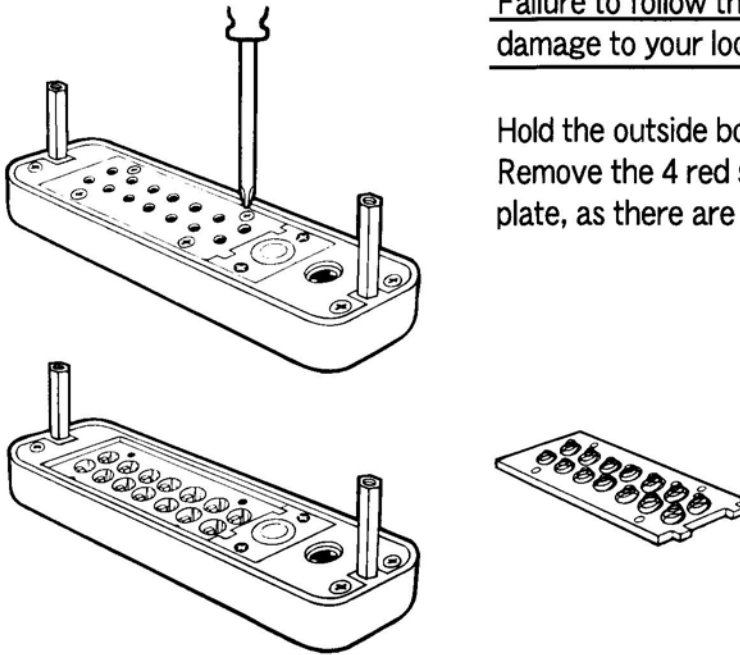
(The SECRET NUMBER is printed in the Secret Number Card which is put in this package.)

(In case of changing the SECRET NUMBER, refer the enclosed "How To Change the SECRET NUMBER".)

DIGITAL DOOR LOCK

HOW TO CHANGE THE CODE

1

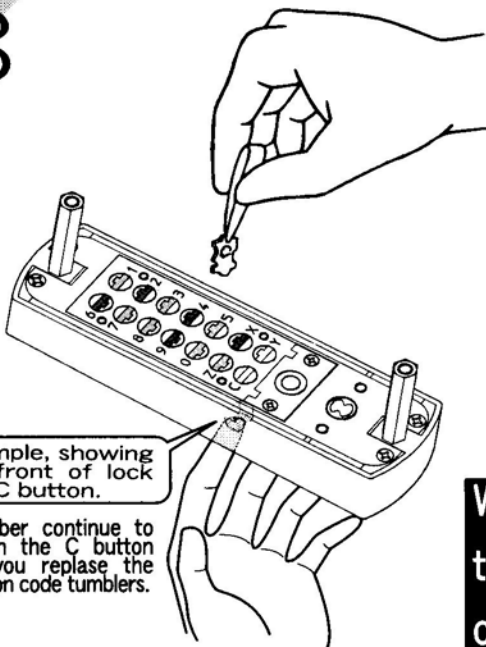


Failure to follow the instructions could result in damage to your lock so please read carefully

Hold the outside body in the horizontal position. Remove the 4 red screws. Carefully remove the plate, as there are many springs attached to it.

2 **YOU MUST PRESS IN THE C BUTTON FROM THE UNDERNEATH UNTIL YOU HAVE COMPLETED THE CODE CHANGE, AS IT IS IMPOSSIBLE TO LIFT OUT OR INSERT THE CODE TUMBLERS IF YOU DON'T. FORCING THEM WILL DAMAGE THE LOCK.**

3



Example, showing the front of lock and C button.

Remember continue to press in the C button when you replace the code/non code tumblers.

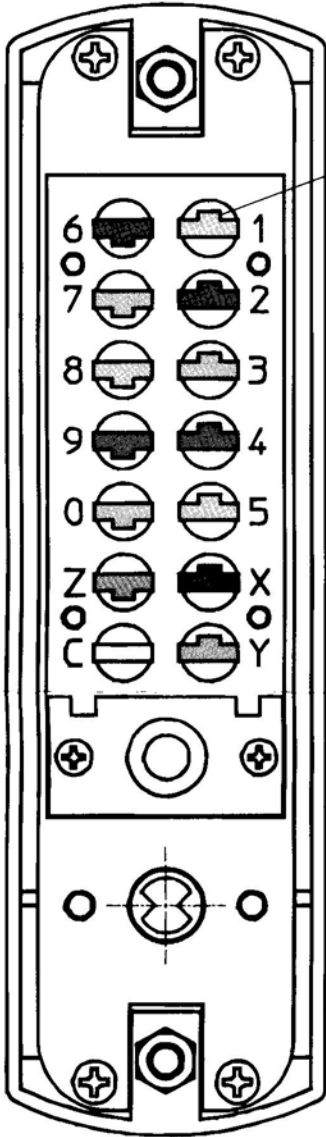
There are blue tumblers (non-code) and red tumblers (code). Your code is made up from the red tumblers always prefixed by C to clear. (Never remove the C tumbler).

Whilst continuing to press in the C button and using the tweezers provided lift out the code/non code tumblers you wish to change.

When you re-insert the code/non code tumblers for your new code you must continue to press in the C button.

4

While pressing in the C button make sure that the coloured top end of the tumbler is facing up wards. Match the  of the tumbler to the exact cut insert of the body.

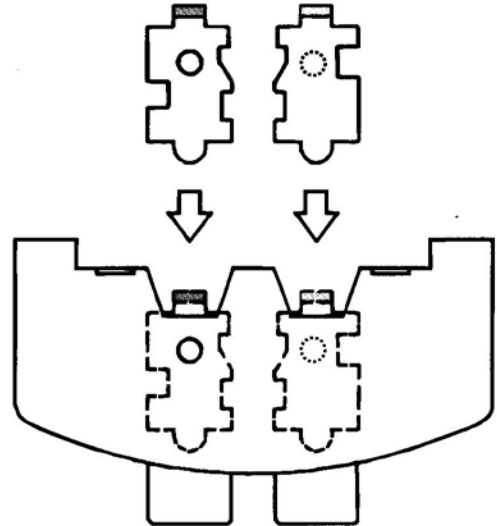
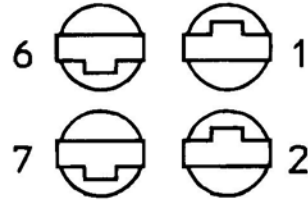
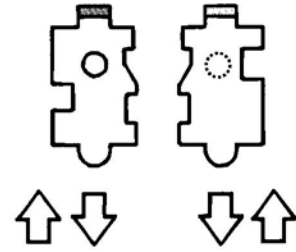


Cut

Example;

The code is made up of the numbers which have the red tumblers inserted next to, this shows C2469X.

Remember the red tumblers are the code and the blue tumblers are non-code.



Using the tumblers provided you can change your code from a 3 digit number up to a 7 digit number, always prefixed by C to clear.

To increase, remove the blue and add the red.

To decrease remove the red and add the blue.

(If you insert a tumbler in the wrong position, press in the C button and lift the tumbler out).

5

When you have completed changing your code release the C button and replace the plate carefully.

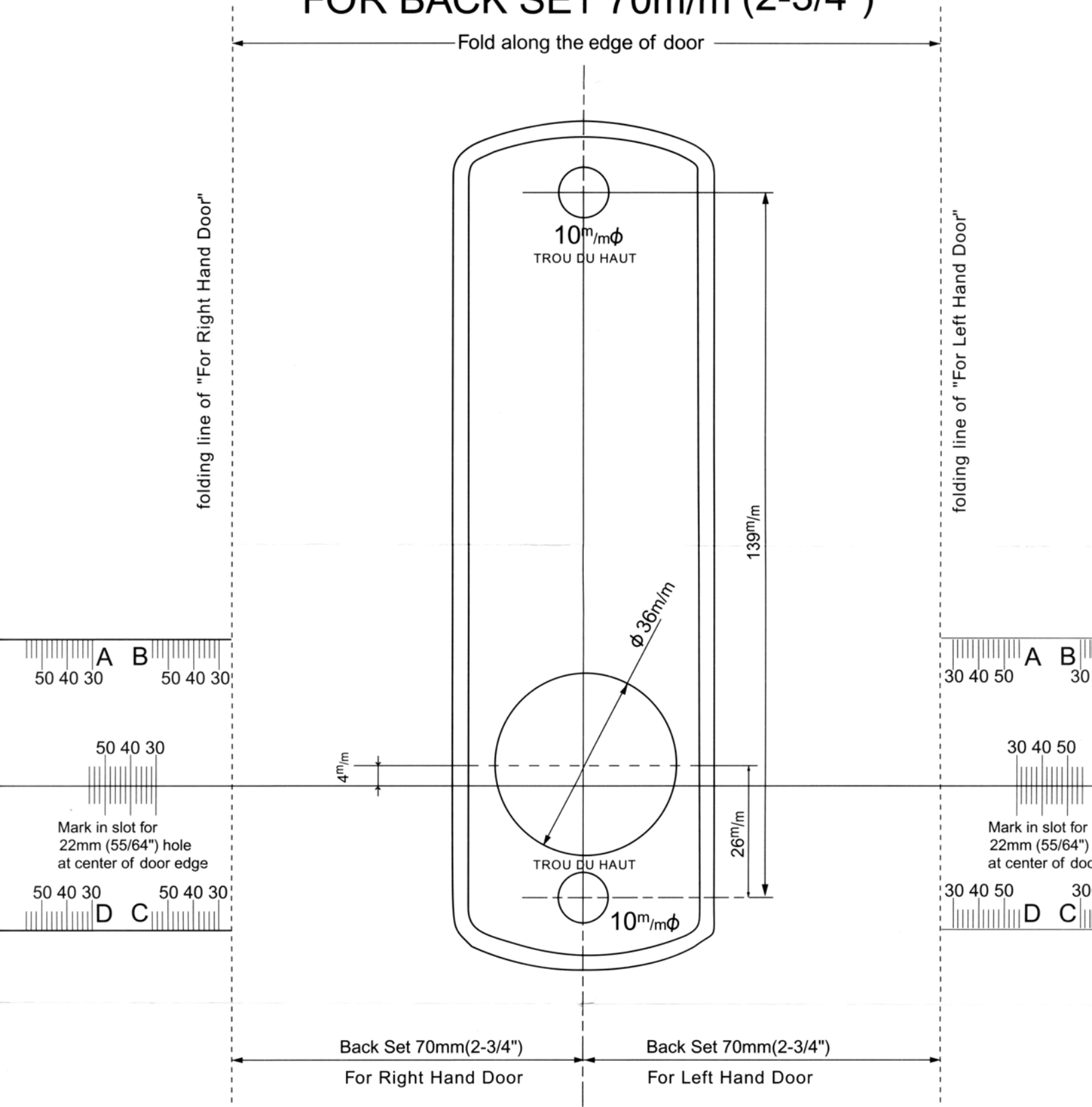
Always test your new code before installing/re-installing your lock to the door.

DIGITAL DOOR LOCK ((DX TYPE))

TEMPLATE

NO.3230/3235

FOR BACK SET 70m/m (2-3/4")



DIGITAL DOOR LOCK ((DX TYPE))

TEMPLATE

NO.3230/3235

FOR BACK SET 60m/m (2-3/8")

