

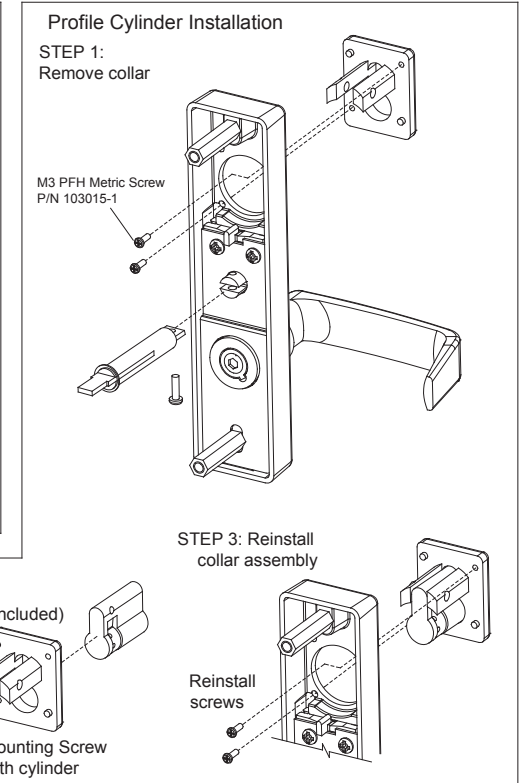
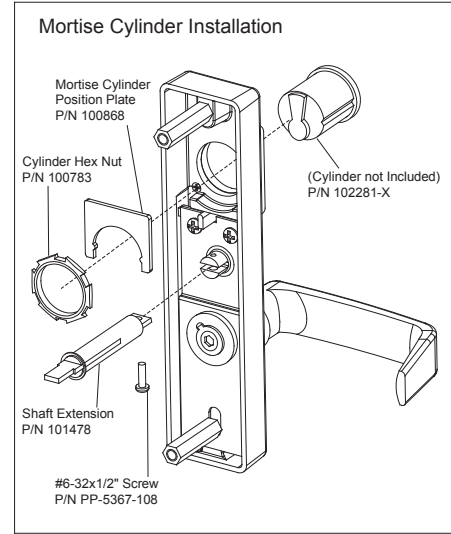
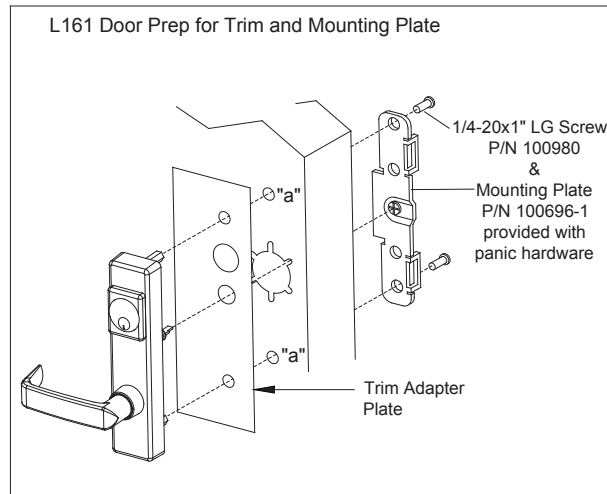
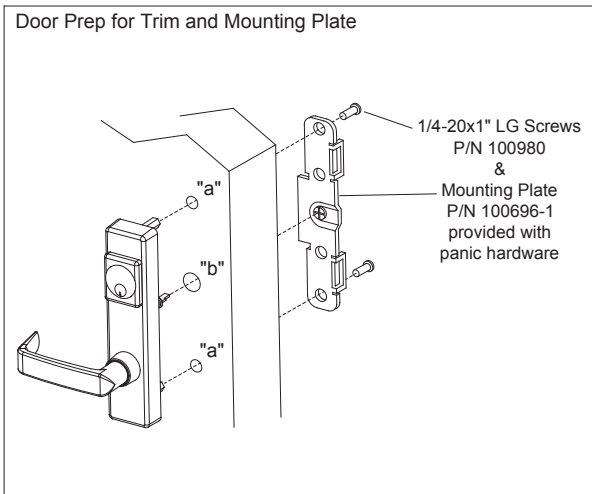
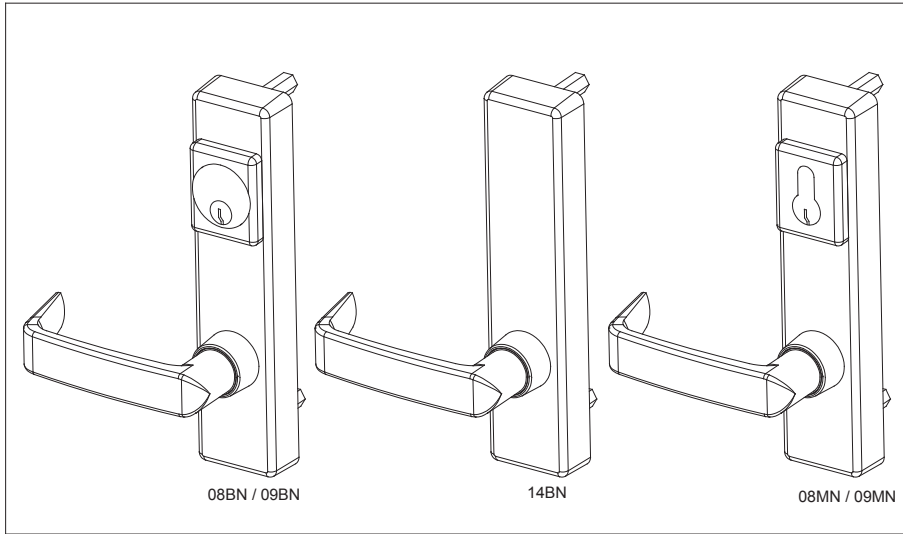


Detex Corporation, 302 Detex Drive, New Braunfels, Texas 78130-3045
 (830)629-2900 / 1-800-729-3839 / Fax (830)620-6711
 E-MAIL: detex@detex.com INTERNET: www.detex.com

102995 November 3, 2009

TEMPLATES ARE AVAILABLE ON WEBSITE

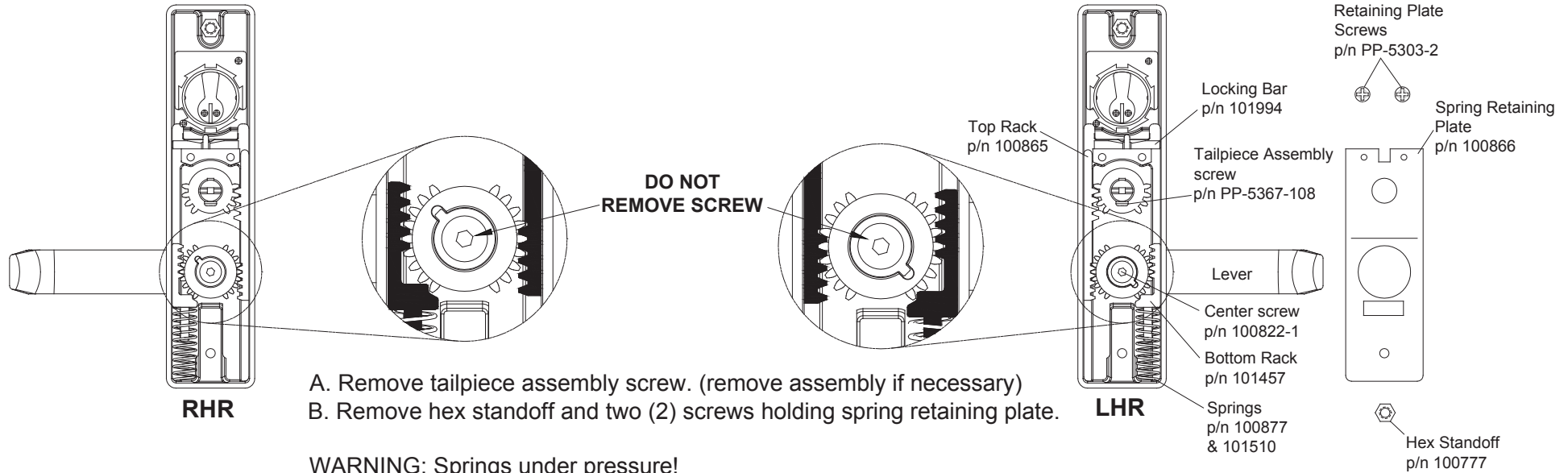
INSTALLATION INSTRUCTIONS FOR DETEX VALUE SERIES® NARROW TRIM



| HOLES "a" | HOLE "b" |
|---|--------------------------------------|
| <p>INSIDE (Metal Doors Only)</p> <p>5/16" (8mm)</p> <p>OUTSIDE</p> <p>1/2" (13mm)</p> | <p>3/4" (20mm) THRU HOLE</p> |

CHANGE LEVER HANDING

Before removing Top and Bottom Racks, note tooth positions.
If excessive play exists on handle, confirm tooth alignment.



- A. Remove tailpiece assembly screw. (remove assembly if necessary)
B. Remove hex standoff and two (2) screws holding spring retaining plate.

WARNING: Springs under pressure!

- C. Remove Spring Retaining Plate.
D. (09 Function only) Move Lock Bar to opposite side.
E. Carefully remove springs and bottom rack.
F. Remove top rack.
G. Rotate lever to opposite side.
H. Engage bottom rack on the opposite side as shown.
I. Engage top rack on the opposite side as shown.
J. Install springs on bottom rack. **WARNING: Springs under pressure!**
K. Replace Spring Retaining Plate, hex standoff and screws.
L. Replace tailpiece assembly screw.

Handing Complete