



iButton Eternity Series Locks

Product Overview & Installation Instructions



iButton Eternity E4

**Keypad/Combination
Entry Door Lock
Heavy-Duty Commercial Grade**



iButton Eternity E5

**Keypad/Combination
Entry Door Lock
with Lighted Keypad**



iButton Series Locks

Section: Table of Contents

iButton Eternity Series Locks

Table of Contents

Table of Contents.....	2
iButton Eternity Series Locks.....	3
iButton Eternity E4	
Keypad/Combination Entry Door Lock.....	3
Lock Dimensions.....	5
Specifications.....	6
Options.....	7
iButton Eternity E5	
Keypad/Combination Entry Door Lock.....	8
Lock Dimensions.....	10
Specifications.....	11
Options.....	12
Installation Instructions.....	13
iButton Eternity E4 Lock Installation Instructions	13
Door Prep.....	16
Parts.....	17
How to Install the Cylinder.....	19
E5 iButton Lock Installation Instructions.....	22
Parts.....	25
Accessories	26
How to Install the Cylinder.....	27
Warranty Information.....	29
Contact Information.....	29

KeylessEntryLocks.com
... because safety matters!

Discover the Security & Comfort of Keyless Locks

30-DAY 100% CUSTOMER SATISFACTION GUARANTEE

Sales & Support 9-5pm Mon-Fri Central Time

Over 25,000 sold since 1997!

(630) 909-9504

iButton Series Locks

Section: iButton Eternity Series Locks

iButton Eternity Series Locks

iButton Eternity E4 Keypad/Combination Entry Door Lock

This heavy-duty, commercial-grade iButton Keypad/Combination Entry Door Lock is perfect for business applications, especially in high-traffic areas and it works with JobClock, TimePilot, and AccessPilot Access Control Systems as well!

- **Handles over 299 users:** The iButton Eternity E4 Lock can be programmed to control up to 800 iButton users and 300 key pad users, making it ideal for corporate use. (Compare this to the iButton Eternity E5, which can handle 500 iButton users and 299 key pad users.)
- **Deletes/deactivates individual users:** The iButton Eternity E4 lets you delete, deactivate, and in-activate users quickly and easily without knowing their unique index code. This useful upgrade means one less thing you need to keep track of.
- **Able to grant access for certain hours:** This lock can be programmed to grant access only during certain hours based on the day of the week. This is true 7-days a week, 24-hours a day. This is great for employees who need to be in the office only during standard business hours or shift employees who should only have access during their own shift.
- **Has auto-lock & auto-unlock feature:** The iButton Eternity E4 Lock has features that can be programmed to automatically lock or unlock everyday at a specific time. No need to set this up manually at the lock each time. This is a great feature for retail stores or businesses that open and close each day at the same time.
- **Has a passage mode:** This lock can be set to a passage mode where no code is needed to open the door, then easily be locked again, with the touch of just one button.
- **Batteries last an extra long time:** Because the keypad is not lighted, batteries last a lot longer than comparable locks.
- **Stands up to rigorous use:** The extra heavy weight lock body and handle of the iButton Eternity E4 are designed to stand up to rigorous use.
- **Can be used inside or outside:** This lock is durable enough to be used either on an external or internal door. If it is going to be used outside, we do suggest you buy an [iButton Protective Lock Cover](#). This shields the inside and/or outside lock body from strong weather.
- **Can be programmed on the lock or on a PC:** The iButton Eternity E4 can be programmed on the lock or on a PC, using the optional PC Audit Trail Kit. This makes programming much



**E4 Outside Body
Installed with Optional Trim
Plate**



iButton Series Locks

Section: iButton Eternity E4 Keypad/Combination Entry Door Lock

easier and quicker if you have many users or locks and provides a backup and disaster recovery, if needed.

- **Retrofits on standard doors:** Like all iButton locks we carry, the iButton Eternity E4 Lock is designed for easy Do-It-Yourself installation on standard residential and commercial hinged doors. Just remove the existing door handle or deadbolt and insert this one in its place. The batteries are in the inside lock body, so there is no external wiring to be done.
- **Adjustable lever handle:** The lever handles on the iButton Eternity E4 Keypad / Combination Entry Door Lock are field-adjustable, so you can use it as either a left handed or a right handed lever. This is great if you might move your lock to a new door with hinges on the opposite side.
- **User iButton key tag:** User key tags are used to open iButton locks, once they are setup. They come in a wide range of colors, so you can designate specific colors for various groups of users which makes management easier. If you plan to open your lock with an iButton but you don't want to purchase the optional Audit Trail Kit, be sure to order at least one User Key Tag.
- **Master iButton key tags:** If you purchase the optional Audit Trail kit, you will automatically receive one Master Key Tag with your order. This is also sometimes called a *Program Management* Key Tag. The Master Key Tag lets you set up your locks on a PC, then download the settings to each of your locks with a single touch. This provides easy management of users and locks.
- **Optional Audit Trail:** The *Program Management* Key Tag is also used to upload the audit trail stored on each of your locks to your PC for easy viewing and permanent storage. This provides a PC backup of your data-important when you have many different users, user groups, locks, or special access times. iButton locks are compatible with Windows 2000 or higher.



iButton Eternity E4 iButton/Keypad Lock



iButton Series Locks

Section: iButton Eternity E4Keypad/Combination Entry Door Lock

Lock Dimensions

	Height	Width	Depth
Outside Lock Body (without handle)	6-3/4 in	3 in	1-1/4 in
Inside Lock Body (without handle)	6-3/4 in	2-3/4 in	1-1/4 in
Outside Handle	7/8 in	5-1/2 in	1-7/8 in
Inside Handle	7/8 in	5-1/2 in	1-7/8 in
Trim Plate (optional)	9-1/2 in	3-1/2 in	1/32 in
Strike Plate	2-1/4 in	1-3/4 in	1/2 in

E-IV iButton Lock

Inside View - Right Handed Lever
Silver Finish



E4 Inside Body
with 1-Touch Quick Lock Button



iButton Series Locks

Section: iButton Eternity E4Keypad/Combination Entry Door Lock

Specifications

Audit Trail Function	Keeps the last 3,000 entries
iButton Key User	Up to 800
Key Pad Users	Up to 300
Length of Combination	SW 1-11 No SW 1-10
Timed Operation – Auto Lock/Auto Unlock	Daily or weekly
Timed Operation – Auto Changing Mode	Daily or weekly
Timed Operation – Time Shift User	Daily or weekly
Remote Access	Yes (iKeypad Software)
Storehouse/Classroom Mode	Both
One Time Usage Codes	Yes
iButton User	Yes
On-site Code User	Yes (10)
Off-site Code User	Yes
One-Touch Lock from Inside	Yes
Daylight Saving	Yes
Lock Out Function	Yes
User Key Assignment Method	Software + Programming Key
Works with PC Software Package	Yes
Warranty	1 Year



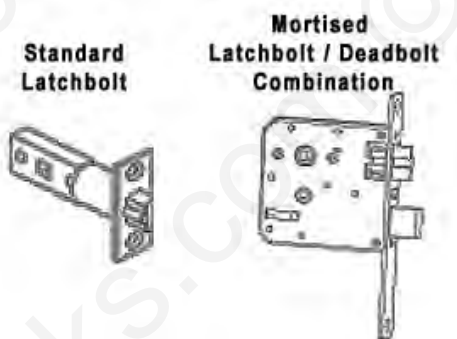
iButton Series Locks

Section: iButton Eternity E4Keypad/Combination Entry Door Lock

Options



- Lock Color: Satin Chrome
- Keyway can be optionally disabled.
- When ordering multiple locks, the key cut can be made the same or different.
- Lock Cover Option
- Latchbolt type: Cylindrical or Mortised
- PC Software w/ Audit Trail Kit Option
- User Key Tags with Multiple colors





iButton Series Locks

Section: iButton Eternity E5 Keypad/Combination Entry Door Lock

iButton Eternity E5 Keypad/Combination Entry Door Lock

The iButton Eternity E5 Keypad / Combination Entry Door Lock with Lighted Keypad is loaded with hard-to-find features you'll love! And, it works with JobClock, TimePilot, and AccessPilot Access Control Systems as well!

- **Lighted keypad and color-coded LED:** The lighted keypad and color-coded LED blink feature on this door lock make it easy to use, even in the dark.
- **Power conservation mode:** The lock can be turned off, if you don't need them, which will extend the battery life beyond the average of 10,000+ operations, which for most users is longer than 18 months.
- **Keypad won't wear off:** The numbers on the key pad are underneath the clear buttons on the iButton Eternity E5 Lock with Lighted Keypad, so they won't wear off over time, like other brands.
- **Users can be deleted one-at-a-time:** Users can be temporarily disabled or deleted one-by-one or in groups without affecting other users of the lock.
- **Right or left-handed:** The iButton Eternity E5 Keypad / Combination Entry Door Lock with Lighted Keypad is ambidextrous so it can be adjusted for a left or right handed door.
- **Internal clock:** This lock has an internal computer that keeps track of time, so you can set up access time zones. The internal clock chip will keep the time running, so there is no need to reset it unless you change your time zone. It can even handle Daylight Savings time when needed.
- **Audit trail:** The iButton Eternity E5 remembers each time it is opened, so you will be able to tell who entered your secure area, when, and how. With the Audit Trail Kit (purchased separately), you can upload this data right to your PC, for easy viewing and/or permanent storage. iButton locks are compatible with Windows 2000 or higher.
- **Can be used inside or outside:** This lock is durable enough to be used either on an external or internal door. If it is going to be used outside, we do suggest you buy an iButton Protective Lock Cover. This shields the inside and/or outside lock body from severe weather.
- **Software upgrade:** This lock comes with the feature of being non-software (program on lock manually) or software (program on computer). The PC Software and Processor Upgrade are **only** needed if:
 1. You have many users (usually more than 5 or 10 users).



**E-V iButton Lock
with Lighted Key Pad**
Outside View - Showing Key Tag
Silver Finish



iButton Series Locks

Section: iButton Eternity E5 Keypad/Combination Entry Door Lock

2. You have multiple locks (usually more than 3-4) that you need to program. With the upgrade, all you will need to do is touch the master program key to the iButton on each lock and all of the programming is downloaded
 3. You would like to program your locks to open during more than one time period per day. For example, you wish to allow entrance for a certain code from 9-9:30am and then again from 5-5:30pm. (This can be accomplished without the processor upgrade, by setting one code for each time.)
 4. You wish to track who opened the lock, how, and at what time using the Audit Trail Kit.
- **4 different ways to unlock the iButton Eternity E5:**
 1. iButton only
 2. Key pad only
 3. iButton and keypad (in combination for extra security)
 4. Metal key
 - **Grants access only during certain hours:** You can program the lock to handle users that are only allowed access during certain date/time ranges or that are always valid (no date/time restrictions).
 - **One time use codes:** You can program the iButton Eternity E5 Lock with Lighted Keypad with up to 10 one time use codes, which is useful if you want to allow a guest entry only 1 time.
 - **Temporary lock out:** You can temporarily lock out all users of the lock in case of an emergency.
 - **Automatically lock and unlock:** You can have the lock automatically lock and unlock at a specified time each day.
 - **Two convenient operational modes:**
 1. **Store room mode:** This is the most commonly used mode where a valid entry (an iButton, Key Pad, or iButton/Key Pad combination) is required each time to open the lock.
 2. **Passage mode:** This is a useful mode to use when you are going in and out a lot. When Passage mode is enabled and your door closes, it will be latched, but not locked. To use this, just enable Passage Mode, then enter any valid entry (an iButton, Key Pad, or iButton/Key Pad combination) and your lock will remain unlocked until it receives another valid entry.
 - **Interchangeable keyway:** The mechanical key way is a standard Schlage SFIC which can also be exchanged for one of your own, so that you can use your own propriety master key. Or, this key way can be completely disabled,



E-V iButton Lock
Outside View - Right Handed Lever
Silver Finish



E-V iButton Lock
Inside View - Right Handed Lever
Silver Finish



iButton Series Locks

Section: iButton Eternity E5 Keypad/Combination Entry Door Lock

for added protection against lock picking and lock bumping. This is done by the manufacturer *prior* to shipping, so be sure to specify this in the special instructions box at checkout when you place your order.

- **Retrofits on standard door:** Like all iButton locks that we carry, this lock is designed for easy Do-It-Yourself installation on standard residential and commercial hinged doors. Just remove the existing door handle or deadbolt and insert this one in its place. The batteries are in the inside lock body, so there is no external wiring to be done.
- **User iButton key tag:** User key tags are used to open iButton locks once they are setup. They come in a wide range of colors, so you can designate specific colors for various groups of users which makes management easier. If you plan to open your lock with an iButton but you don't want to purchase the optional Audit Trail Kit, be sure to order at least one User Key Tag.
- **Master iButton key tags:** If you purchase the optional Audit Trail kit, you will automatically receive one Master Key Tag with your order. The Master Key Tag lets you set up your locks on a PC, then download the settings to each of your locks with a single touch. This provides easy management of users and locks. The Master Key Tag is also used to upload the audit trail stored on each of your locks to your PC for easy viewing and permanent storage to provide PC backup of your data-important when you have many different users, user groups, locks, or special access times. Both the Master Key Tag and the User Key Tag are very easy to use — just touch the iButton to receptor on either the lock or the USB cable and it will automatically transfer information in a matter of seconds.



E-V iButton Lock
Outside View - Right Handed Lever
Silver Finish

Lock Dimensions

	Height	Width	Depth
Outside Lock Body (without handle)	6 in	2-1/2 in	3 in
Inside Lock Body (without handle)	6 in	2-1/2 in	2-1/2 in
Outside Handle	1 in	5 in	1-3/4 in
Inside Handle	1 in	5 in	1-3/4 in
Trim Plate (optional)	9-1/2 in	3-1/2 in	1/32 in
Strike Plate	2-1/4 in	1 in	1/2 in



iButton Series Locks

Section: iButton Eternity E5 Keypad/Combination Entry Door Lock

Specifications

Bolt Options	1. Adjustable latch bolt, U.L. Listed, solid brass. 2. Mortised latch bolt / dead bolt combination. Note: handedness is not field adjustable.
Back Set	Adjustable; 2-3/8" or 2-3/4"
Key Pad	12 buttons with back light, beeper, & LED
Key Way	SC4 Schlage 6-pin key way; can be disabled or replaced with a standard SFIC-type key cylinder
Length of Combination	SW 1-11 No SW 1-10
Lighted Key Pad	Yes, if enabled on keypad
Deletion	Individually or in batches, without affecting other users
Enrollment	Controlled from key pad or PC, with Audit Trail Kit Add-On
Latch	Adjustable; U.L. listed; solid brass; 2-3/8" and 2-3/4" back set
Key Override	SC4 Schlage 6 pin key, can be disabled or replace with your own SFIC
Power Supply	(4) AA batteries
Battery Life	10,000 or more operations, usu. 18+ months; visual and audio low battery warning usually 1-2 weeks in advance when system drops below 4.8 volts.
Finish	Sliver or gold (extra cost)
Lock Modes	Store room (auto-lock) mode or Passage (temporarily unlocked) mode
Hole in Door	Standard 2-1/8" diameter
Material	Zinc Alloy
Installation	Do-It-Yourself
Temperature	0°F to 120°F (-18°C to 50°C)
Exposure	The outside body of the lock can safely be exposed to all weather conditions. The inside body of the lock should be protected from exposure to water.
Door Thickness	1-3/8" ~ 1-3/4"
Memory Retention	Never loses memory even without power. Just reset the time – the iButton Eternity E5 will retain your users and codes.
Warranty	1 Year



iButton Series Locks

Section: iButton Eternity E5 Keypad/Combination Entry Door Lock

Options



Satin Color



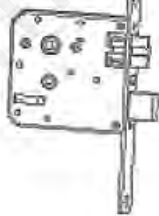
Chrome Color

- Lock Color: Satin or Chrome
- Keyway can be optionally disabled
- When ordering multiple locks, the key cut can be made the same or different
- Lock Cover Option
- Latchbolt type: Cylindrical or Mortised
- PC Software w/ Audit Trail Kit
- Multiple Color User Key Tags

Standard Latchbolt



Mortised Latchbolt / Deadbolt Combination



Lock Cover Option



Multiple Color User Key Tags



iButton Audit Trail Kit



iButton Series Locks

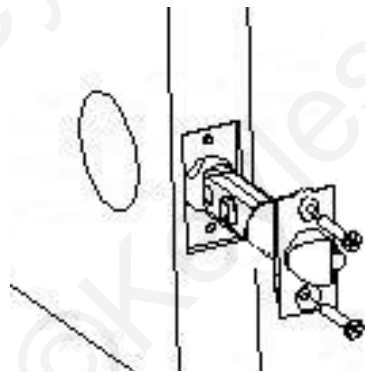
Section: Installation Instructions

Installation Instructions

iButton Eternity E4 Lock Installation Instructions

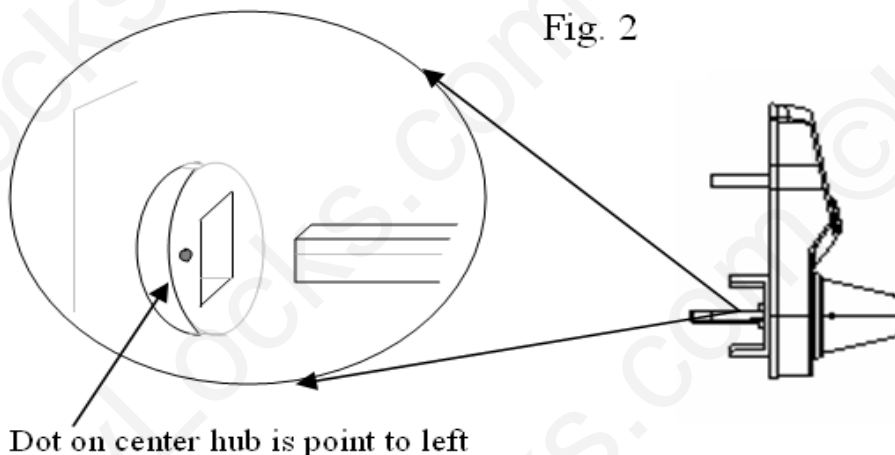
Step 1. Install the latch

- Insert the latch into a 1" hole on edge of the door.
- Secure the latch in place with two screws.



Step 2. Install outside lock housing

- Place the outside gasket (if required) on back of the outside lock housing prior to the assembly; align the gasket along the edge of the lock housing.
- Insert the square spindle into the center hub and turn the spindle until it locks. Ensure that the dot on the center hub is pointed to the left.

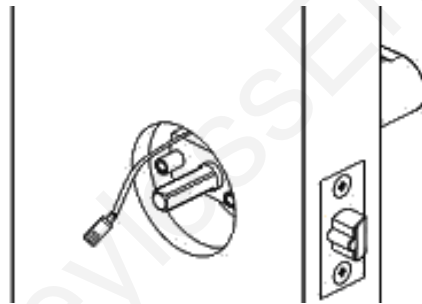




iButton Series Locks

Section: iButton Eternity E4 Lock Installation Instructions

- Place the outside lock housing against the door, feed the power plug through the 2 1/8" door hole.



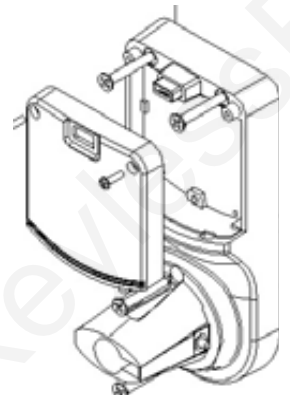
Step 3. Install inside mounting plate

- Place the inside gasket (if required) on the mounting plate, and align the inside gasket with the position hole.
- Feed the power plug through the small hole on the mounting plate.
- Place the mounting plate against the door, and secure the mounting plate attach to outside lock housing with three screws.



Step 4. Install inside lock housing

- Plug the power cable into the inside lock housing.
- Place inside lock housing on top of the mounting plate,
- Ensure the square spindle into inside lever hub. Secure the inside lock housing with two screws.



Step 5. Install inside lever door handle.



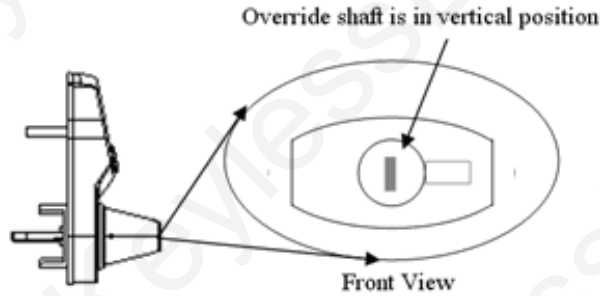


iButton Series Locks

Section: iButton Eternity E4 Lock Installation Instructions

Step 6. Install outside lever door handle

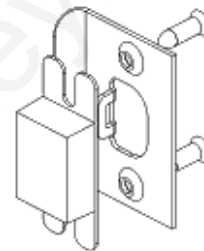
- Ensure override shaft inside the cylinder housing is in vertical position (use flat screw driver to adjust the position when needed)



- Place the key cylinder into the outside lever door handle, insert the manual key to the cylinder and turn clockwise 90 degrees.
- Guide the cylinder into the cylinder housing and snap the lever door handle into the lever catch pin
- Turn the manual key counter clockwise 90 degree and pull the key out

Step 7. Install Strike plate

- Inset the dust boot into the door frame.
- Place the strike plate over the dust boot.
- Secure the plate in place with two screws.

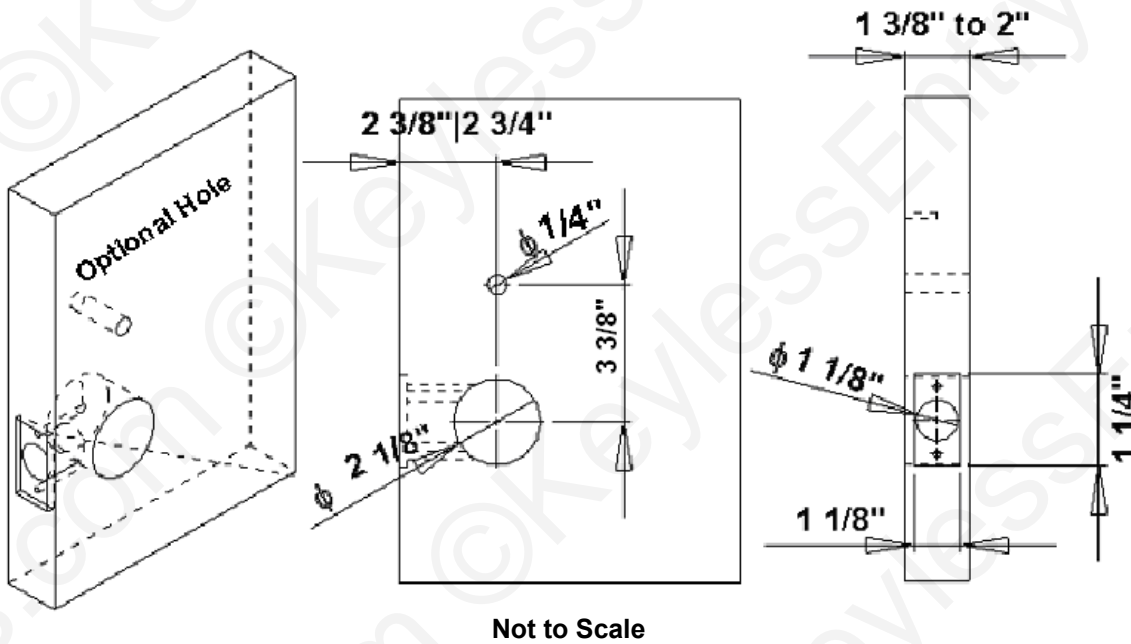




iButton Series Locks

Section: iButton Eternity E4 Lock Installation Instructions

Door Prep

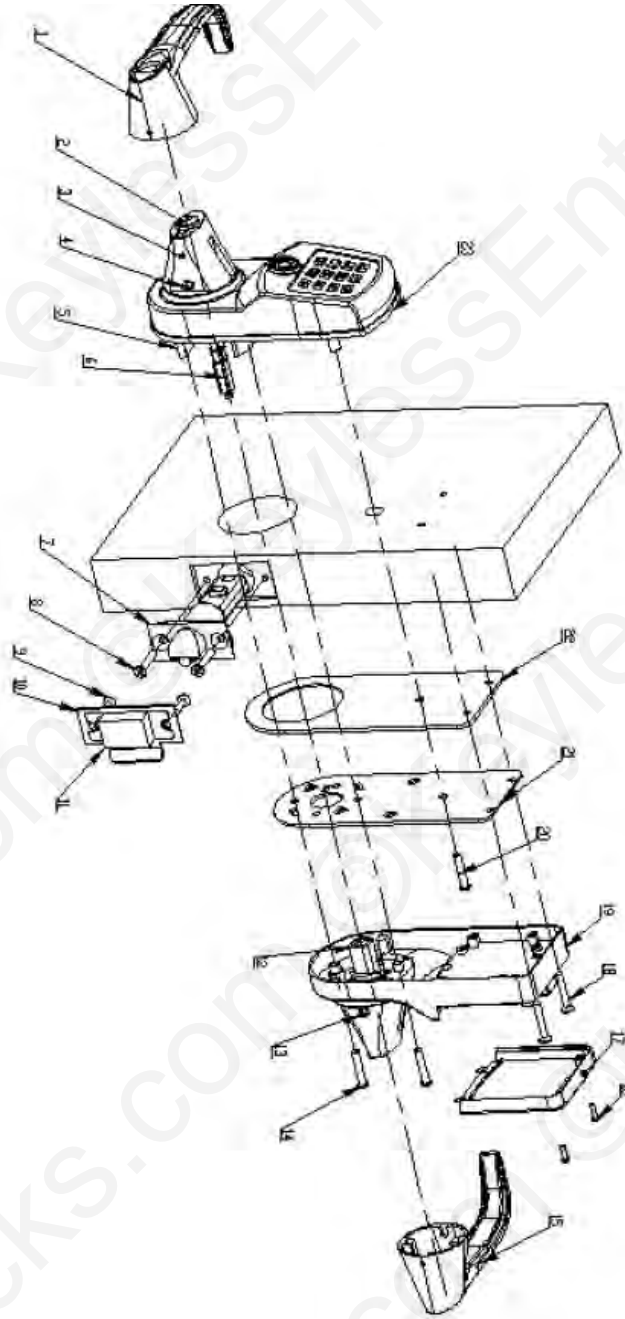




iButton Series Locks

Section: iButton Eternity E4 Lock Installation Instructions

Parts





iButton Series Locks

Section: iButton Eternity E4 Lock Installation Instructions

(See diagram on previous page.)

1	Outside Lever
2	Override Cylinder
3	Front Lever Shaft
4	Outside Catch Pin
5	Outside Lock Housing
6	Spindle
7	Latch
8	Latch Screws
9	Strike Plate Screws
10	Strike Plate
11	Dust Boot
12	Mounting Plate Screws
13	Inside Catch Pin
14	Mounting Screws
15	Inside Lever
16	Battery Lid screws
17	Battery Lid
18	Mounting Screws
19	Inside Lock Housing
20	Mounting plate screw
21	Mounting Plate
22	Inside Gasket
23	Outside Gasket



iButton Series Locks

Section: iButton Eternity E4 Lock Installation Instructions

How to Install the Cylinder

1. Attention to "Shaft in vertical position"



2. Take key out from cylinder

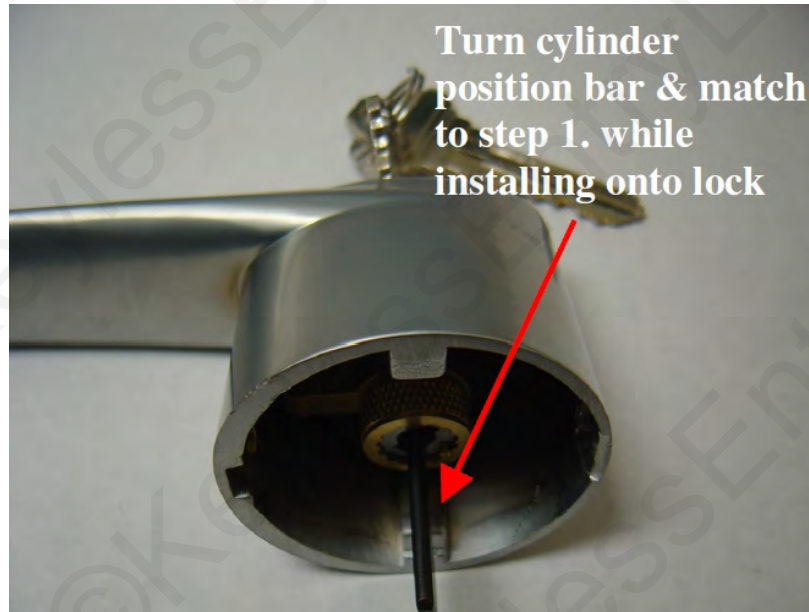




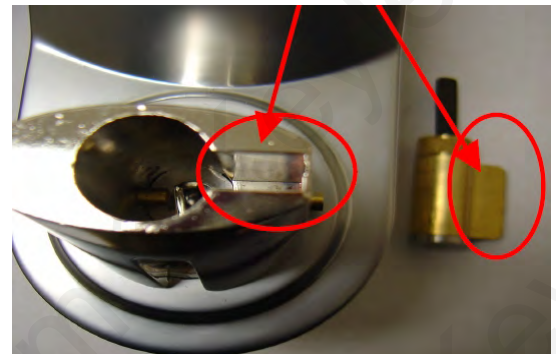
iButton Series Locks

Section: iButton Eternity E4 Lock Installation Instructions

- Put Cylinder into "outside handle"(w/hole), then insert key into Cylinder from outside handle



- Hold key with cylinder & insert handle, position & press tight onto lock



KeylessEntryLocks.com
... because safety matters!

Discover the Security & Comfort of Keyless Locks

30-DAY 100% CUSTOMER SATISFACTION GUARANTEE

Sales & Support 9-5pm Mon-Fri Central Time

Over 25,000 sold since 1997!

(630) 909-9504

iButton Series Locks

Section: iButton Eternity E4 Lock Installation Instructions

5. Turn key "counter-clockwise" & pull out key



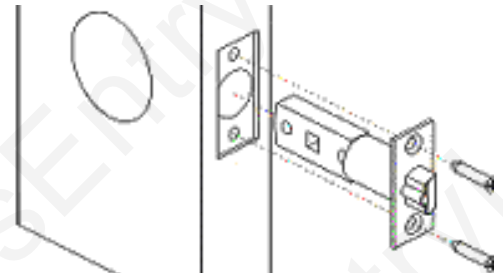


iButton Series Locks

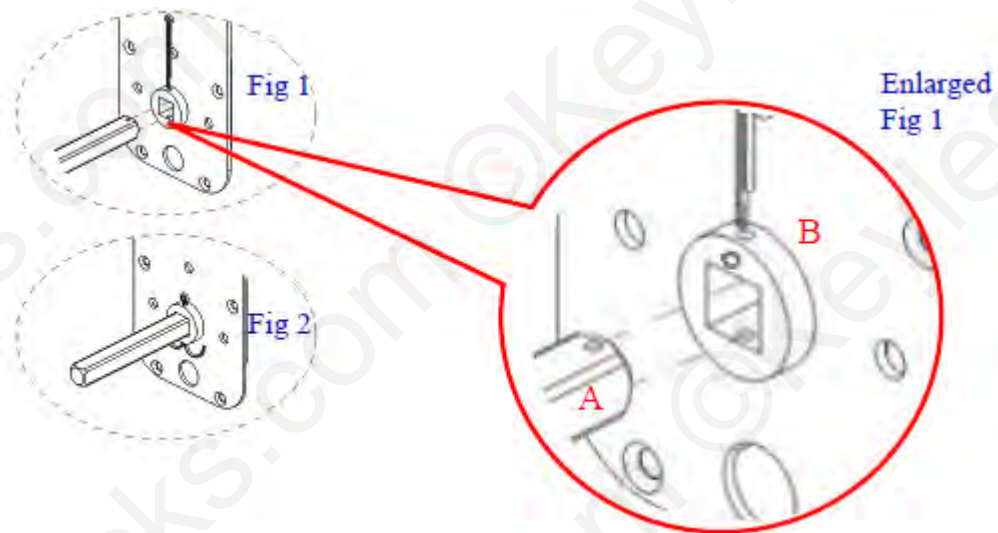
Section: E5 iButton Lock Installation Instructions

E5 iButton Lock Installation Instructions

Step 1: Insert the latch into door hole. Secure the latch with two screws.



Step 2: Insert the square shaft (A) into the center hub (B). Insert the position pin into the hole on the center hub to secure the square shaft. Bend the end of position pin around the center hub to secure the pin in place.

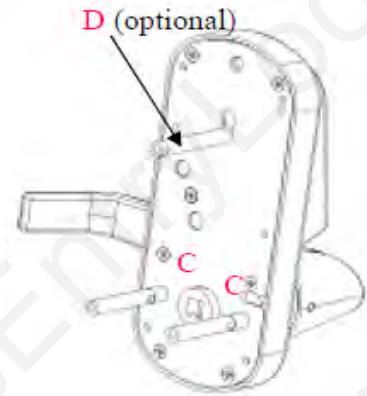




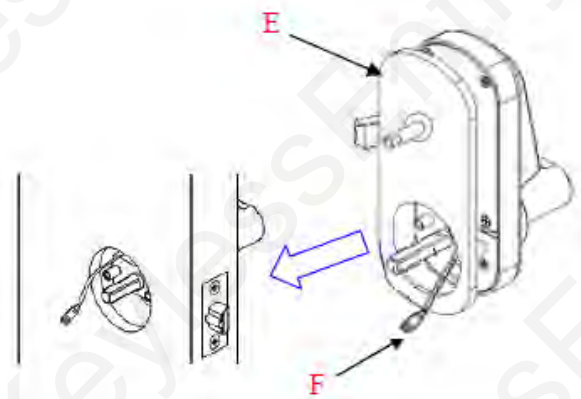
iButton Series Locks

Section: E5 iButton Lock Installation Instructions

Step 3: Screw in and tighten the two fastener extensions (C) into the front lock fastener posts located on both side of the center hub. Attach and tighten the upper fastener extension (D) if needed. *Note: The upper fastener extension (D) is optional.*



Step 4: Place the front lock housing onto the door, with the rubber gasket (E) between the door and lock housing. Feed the power plug (F) through the hole.



Step 5: Attach the battery plate onto the door, with the rubber gasket between the door and battery plate. Make sure the power plug go through the hole on the plate. Secure the battery plate to front lock fastener post with 2 screws. Fasten upper fastener post (Optional).





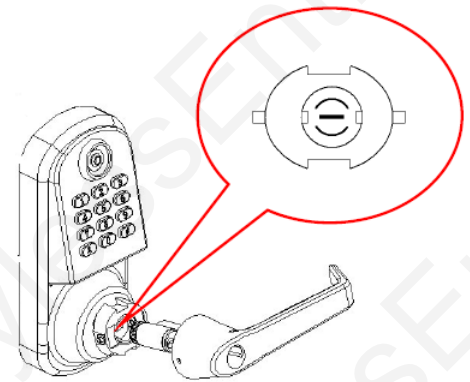
iButton Series Locks

Section: E5 iButton Lock Installation Instructions

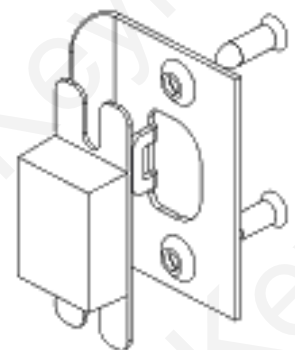
Step 6: Install batteries, and plug in the power cable. Secure the back lock housing onto the battery plate. Fasten with 2 screws. Press both catch pin in and snap the rear handle into drive shift.



Step 7: Place the override cylinder into front handle housing, insert override key through the hole into cylinder. Turn the override key 90° clockwise. Press both catch pin in and snap the front handle into drive shift. Turn override key 90° counter clockwise and pull the key out.



Step 8: Put strike box in door frame, and then strike plate over it.





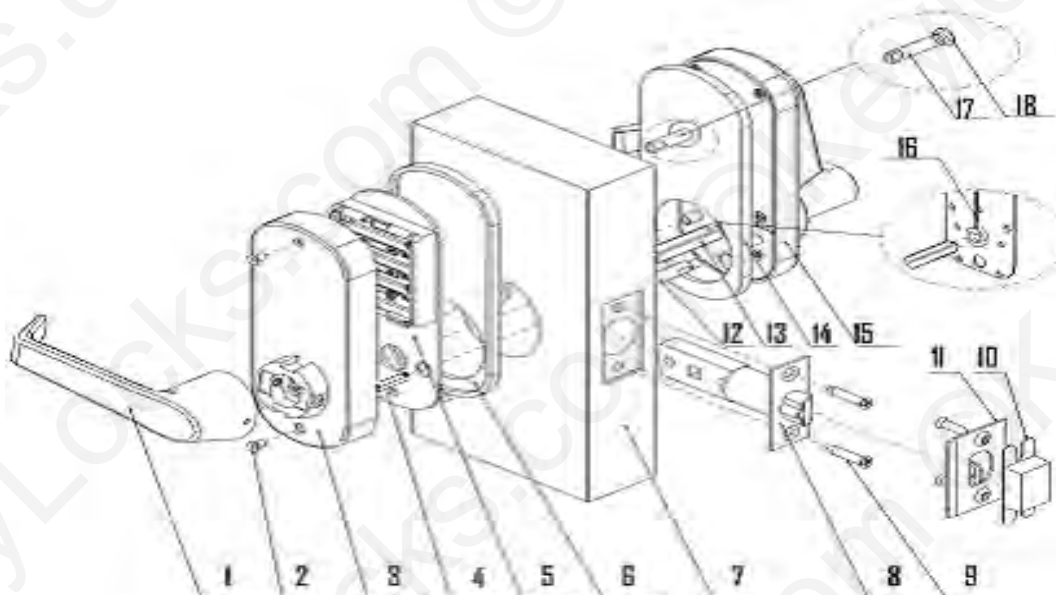
iButton Series Locks

Section: E5 iButton Lock Installation Instructions

Parts

Major Parts

- | | |
|------------------------------------|---------------------------------|
| 1. Rear Handle | 2. Rear Lock housing Screws |
| 3. Rear Housing | 4. Battery Plate Screw |
| 5. Battery Plate | 6. Rear Rubber Gasket |
| 7. Door | 8. Latch |
| 9. Latch Screws | 10. Dust Boot |
| 11. Strike Plate | 12. Front Lock Fastener Post |
| 13. Square Shaft | 14. Front Rubber Gasket |
| 15. Front Lock Housing | 16. Position Pin |
| 17. Upper Fastener Post (optional) | 18. Attachment Screw (optional) |
| 19. iButton Reader | 20. Keypad |
| 21. Override Key Cylinder | 22. Front Handle |









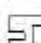






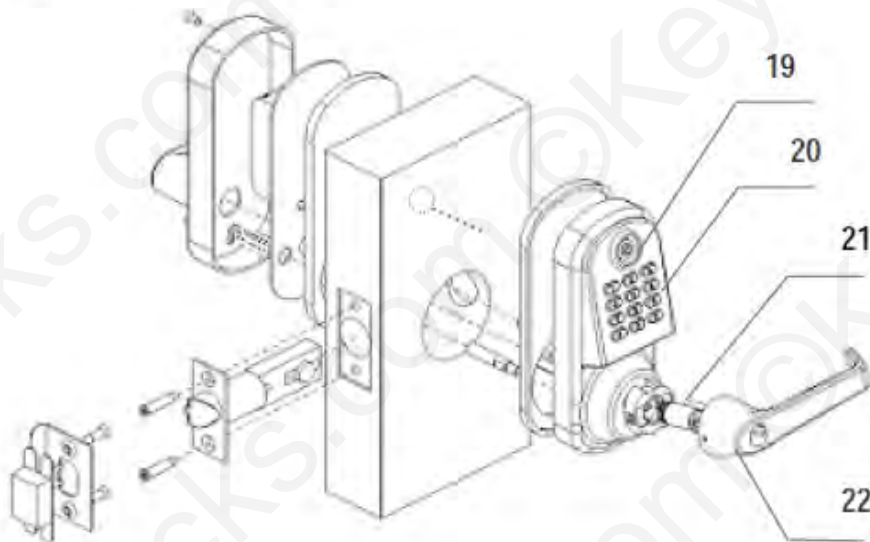


iButton Series Locks

Section: E5 iButton Lock Installation Instructions

Accessories

1.  Battery Plate Screw (3)
2.  Back Cover Screw (2)
3.  Screws (4)
4.  Square Shaft (1)
5.  Position Pin (1)
6.  Fastener Extension (2)
7.  Upper Fastener Extension
8.  Latch (1)
9.  Strike Plate (1)
10.  Dust Boot (1)
11.  Override Key (2)
12.  SC4 Cylinder (1)
13.  iButton key (Optional)





iButton Series Locks

Section: E5 iButton Lock Installation Instructions

How to Install the Cylinder

1. Place the override cylinder (a) into front handle housing (b)



2. Align the cylinder as shown (e) and insert the override key (d)



3. Turn the override key 90° clockwise

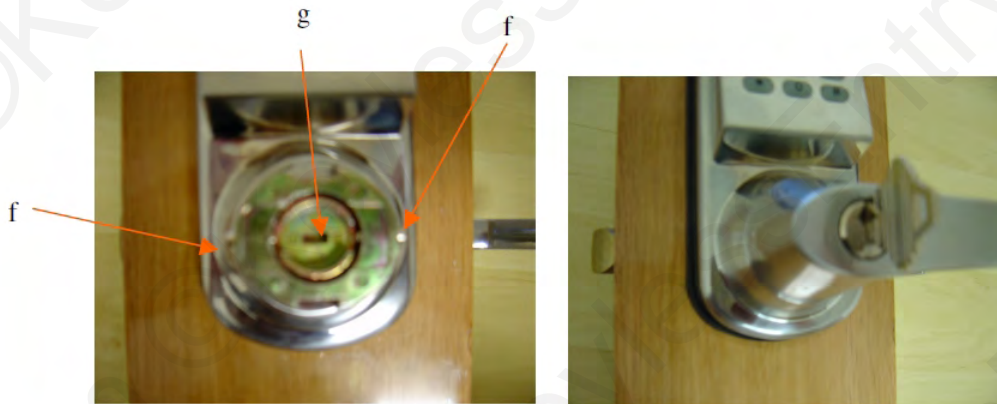




iButton Series Locks

Section: E5 iButton Lock Installation Instructions

4. Ensure that the override shaft is horizontal. (g)
5. Press in both catch pins (f) and snap the front handle into drive shift



6. Turn override key 90° counter-clockwise and pull the key out.





iButton Series Locks

Section: Warranty Information

Warranty Information

Most items sold are covered by a manufacturer's one-year parts warranty from the purchasing day. (Labor is not included).

Warranty does not include labor, travel charges, or any other costs incurred for repair, removal, installation, servicing, diagnosing or handling of either defective parts or replacement parts.

Contact Information

Sales:

Phone: (630) 909-9504

Email: LockOrders@KeylessEntryLocks.com

Technical Support:

Phone: (972) 492-0752

Email: Mail@UAccess-LLC.com