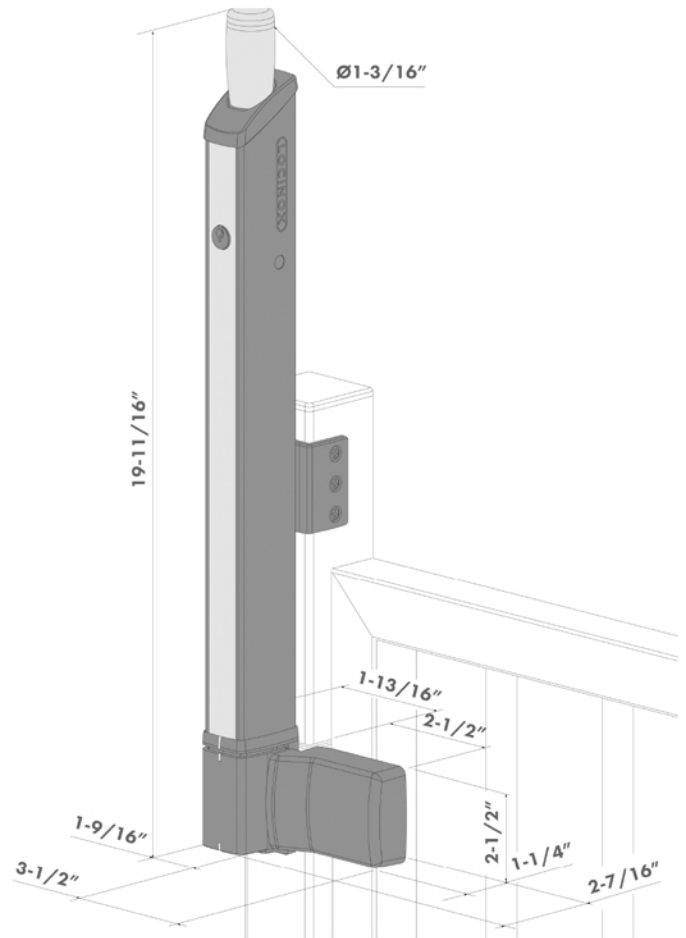




# FORTIMA

## THE SLEEK AND STURDY CHILD SAFE MAGNETIC LATCH FOR POOLS AND PARKS

Item No. FORTIMA-



The FortiMa is a magnetic child-safe gate latch that ensures safety, security and ease of entrance. FortiMa's patented internal leverage allows for smooth opening and, with its unmatched magnetic force, closes securely. The anodized aluminum and powder coated components make the FortiMa as attractive as it is functional,

adding elegance and value to your pool, park, playground or back yard. Installation is easy on a wide range of gate materials and being compatible with most international code requirements, the FortiMa can be rekeyed to match any existing lock. Install the FortiMa and relax in the long-lasting, rust-free, security of your gate.

- Unique and extremely durable patented design with anodized aluminum housing
- Strongest magnetic force on the market: magnetic distance of 1-1/4" (2x industry standard!)
- Tested up to 2 million cycles - Limited Lifetime Warranty!
- Rekeyable to match any lock: Schlage-C Key-in-knob cylinder (5pin, drilled 6pin)
- Sag-proof! 3/4" vertical tolerance after installation
- Full vertical adjustability and 1" horizontal adjustability - a gap of 3/8" up to 1-3/8"
- Push down prevention: only opens when magnet is pulled up, adding additional security
- Perfect for metal, vinyl or wooden gates, available for round (R) and square (K) posts
- Meets international standards for pool gates (always confirm with the respective authorities)