

Hydraulic 180° gate closer and hinge in one

MAMMOTH-180 (Patented)

Elegant and powerful self-closing hinge for 180° gate situations. Mammoth is perfectly fit for gates up to 150 kg and 1500 mm wide. It is equipped with a double bearing for exceptional functionality. The Active Thermal System guarantees a constant closing speed, unaffected by weather conditions. The Dino hinge is included.



Color options

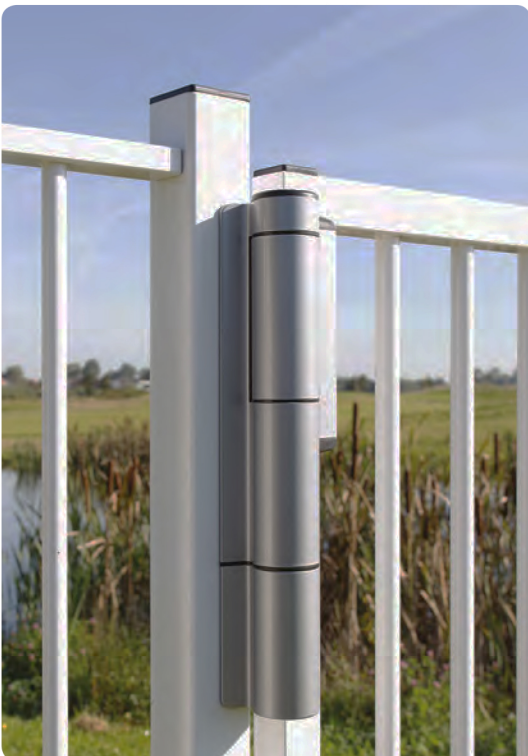
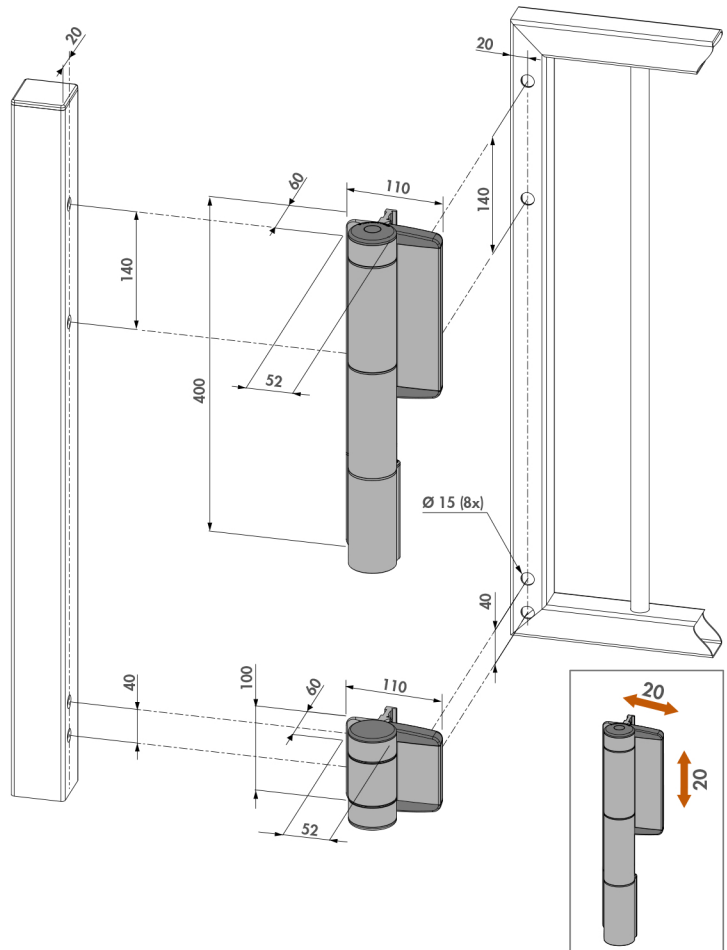
ZILV 9005

Specifications

- ✓ Self-closing hinge with patented hydraulic damping
- ✓ Aesthetic design
- ✓ Powder coated aluminium housing
- ✓ Closing speed unaffected by temperature changes
- ✓ Easy to open: Max. 16 Nm
- ✓ Vandal-proof
- ✓ For left and right opening gates
- ✓ Easy mounting with Quick-Fix
- ✓ 2-dimensionally adjustable (2 x 20 mm)

Order code

MAMMOTH-180 Stylish hydraulic gate closer for heavy gates



Recommended installation tools



DRILLVISE-II



DRILLVISE-IV



CLB-MAMMOTH