



FEATURES

- Mechanical, keyless deadlocking spring latch lock
- Automatically locks when door is closed
- One user code
- Knob on exterior and interior
- Changeable handing
- Adjustable backset latch
- Covers standard 2 1/8" hole

OPTIONS

Single Combination, Double Combination (DC)



Single Combination



Double Combination

DIMENSIONS & SPECIFICATIONS

Dimensions:

- Length: 4 7/8"
- Width: 1 1/2"
- Depth: 1 7/8"

Total Coverage with Trim Plates: 5 5/8" L x 2 1/2" W

Backset: Adjustable

Door Thickness: 1 1/8" to 2", up to 5" with Extension Kit

Door Prep Edge Bore: 1"

Material: Zinc-plated steel

Teflon coated stainless steel interior components

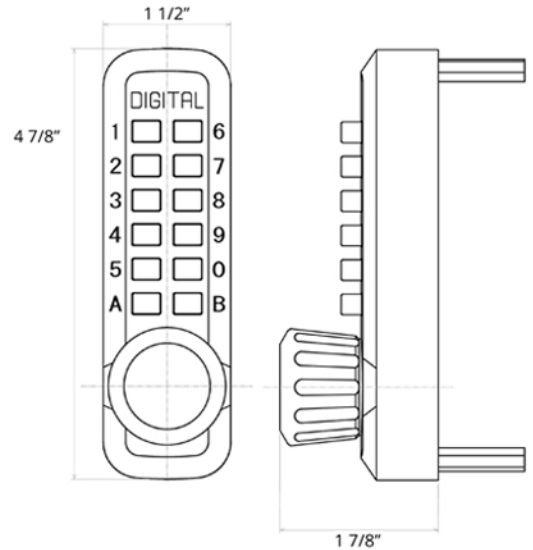
For Exterior & Interior Use

Weather Resistant

Lifetime Mechanical Warranty



Compatible with GB200M Gate Box



ORDERING INFORMATION

Finish	Single Combination	Double Combination
Antique Brass	M230AB	M230ABDC
Bright Brass	M230BB	M230BBDC
Bright Chrome	M230BC	M230BCDC
Jet Black	M230JB	M230JBDC
Marine Grade	M230MG	M230MGDC
Oil Rubbed Bronze	M230OB	M230OBDC
Satin Brass	M230SB	Not Available
Satin Chrome	M230SC	M230SCDC
Satin Nickel	M230SN	M230SNDC
White	M230WH	M230WHDC

